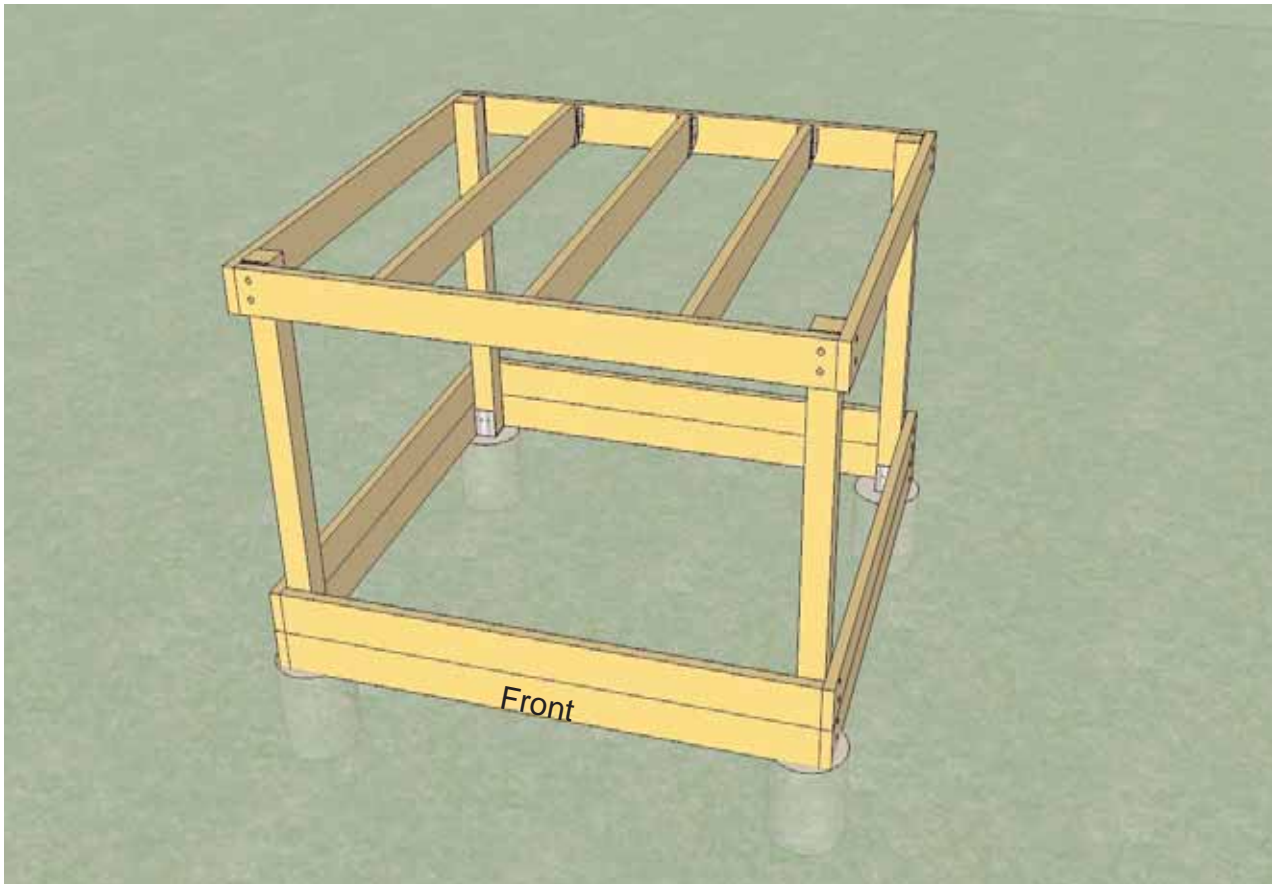


6X6 Elevated Platform/Sandbox for Little Squirt Playhouse Assembly Manual

Version #5
Feb 2nd. 2011



NOTE: Post Mounting Hardware is **NOT** included in this kit. Please confirm with your local building permit office to determine the correct hardware in your area.

In the event of a missing or broken piece, simply call the Outdoor Living Today Customer Support Line @ 1-888-658-1658 within 30 days of the delivery of your purchase. It is our commitment to you to courier replacement parts, free of charge, within 10 business days of this notification. Replacement parts will not be provided free of charge after the 30 day grace period.

IMPORTANT: Western Red Cedar Lumber and Timbers will have surface splitting that occurs as lumber seasons and dries to the moisture content in your area. Splitting or “checking”, as it is referred to, can be 1/8” to 1/4” wide and can run several feet. This does not diminish the structural integrity of the material in any way.

Customers agree to hold Outdoor Living Today and any Authorized Dealers free of any liability for improper installation, maintenance and repair of any Outdoor Living Today products.

Thank you for purchasing our 6x6 Elevated Platform/Sandbox for your 6x6 Little Squirt Playhouse. Please take the time to identify all the parts prior to assembly.

Parts List:

A. Lower Section

- A. 4 - 1 1/2" x 5 1/2" x 72" Lower Front and Rear Girders
- B. 4 - 1 1/2" x 5 1/2" x 70" Lower Side Girders - Pre-drilled for Lag Bolts
- C. 4 - 3 1/2" x 3 1/2" x 48" Support Posts

B. Upper Section

- D. 2 - 1 1/2" x 5 1/2" x 72" Upper Front and Rear Girders with 3/8" Cleat on inside ends - Pre-drilled for Lag Bolts
- E. 2 - 1 1/2" x 5 1/2" x 70" Upper Side Girders - Pre-Drilled for Lag Bolts
- F. 3 - 1 1/2" x 5 1/2" x 67" Upper Interior Joists
- G. 1 - Ladder

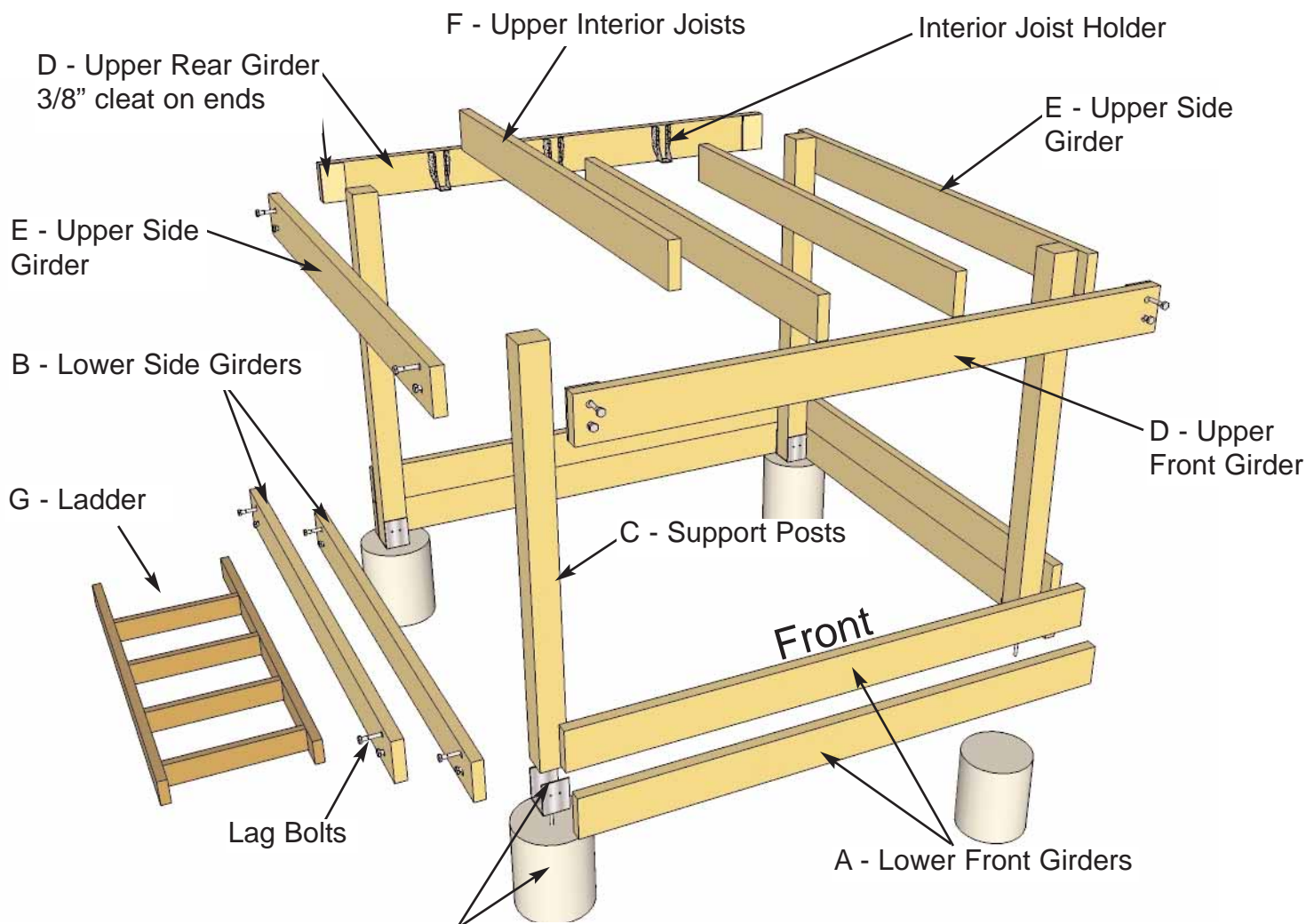
C. Hardware

- 32 - 3" Lag Bolts
- 2.5" Screws
- 6 - Interior Joist Holders
- 1 1/4" Screws for Joist Holders
- ** Not Included - Posts Mounts with Hardware and Footings.**

Tools Required:

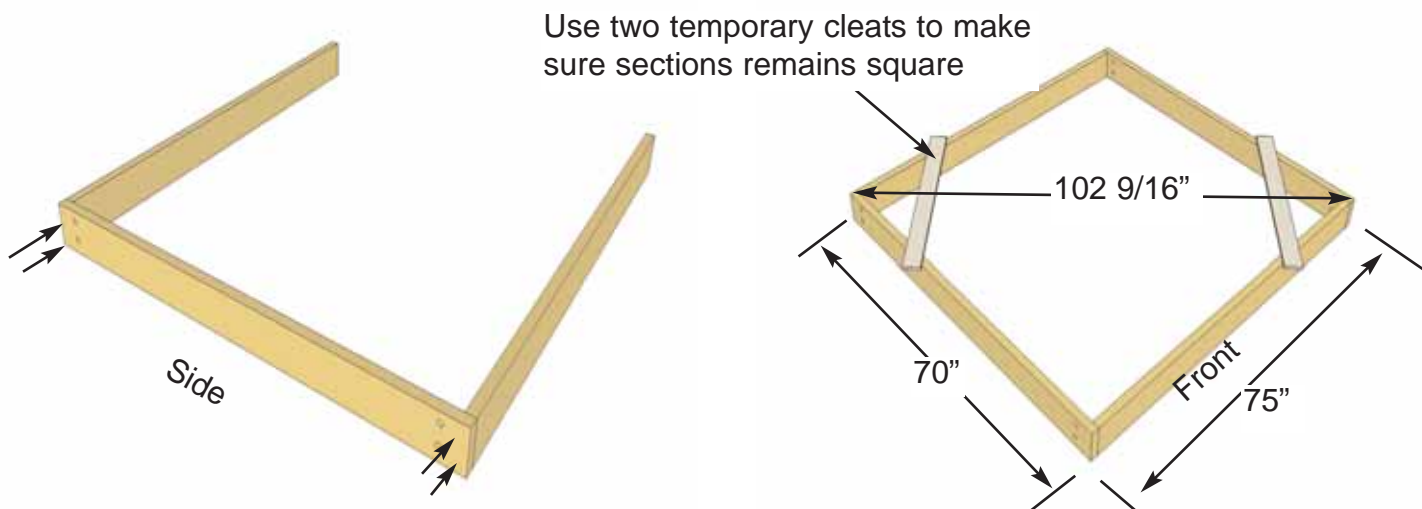
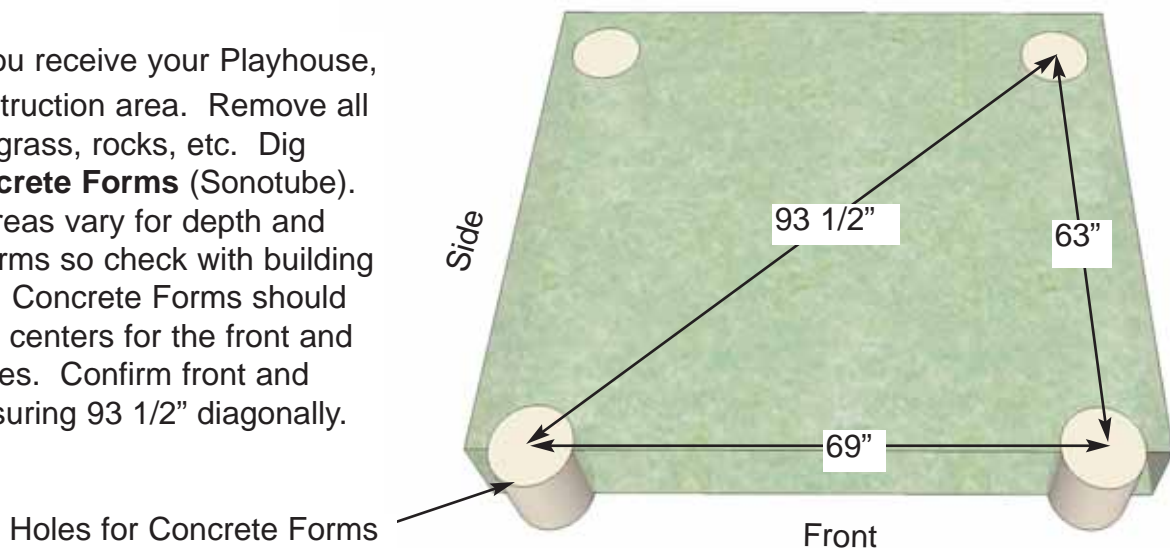
- Work Gloves and Safety Glasses
- Screw Gun
- Level
- 2 Large Ladders
- 9/16" Wrench
- Hammer
- Wood Clamps
- 1/8" Drill Bit for Pilot Holes

Exploded View of 6x6 Elevated Platform



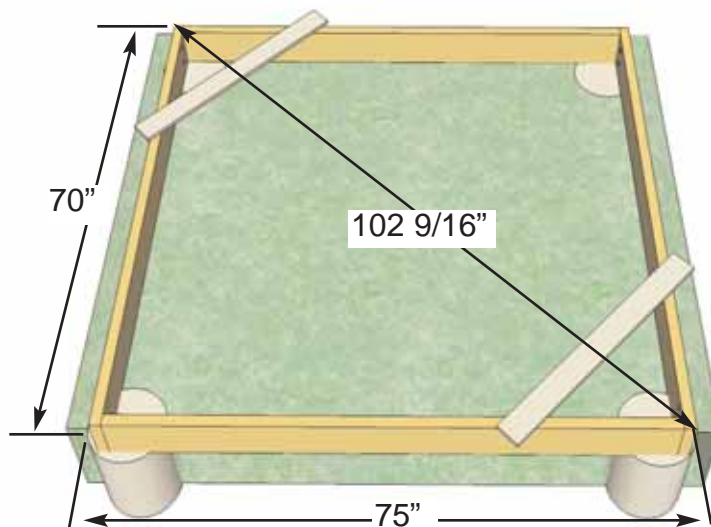
Footings and Post Mounts not Included
(Please Check with Manufacturer for Specifications.)

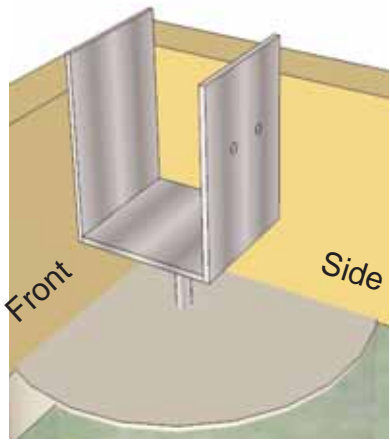
1. Before you receive your Playhouse, clear the construction area. Remove all debris; roots, grass, rocks, etc. Dig holes for **Concrete Forms** (Sonotube). Geographic areas vary for depth and diameter of forms so check with building authority first. Concrete Forms should be dug on 69" centers for the front and 63" for the sides. Confirm front and sides by measuring 93 1/2" diagonally.



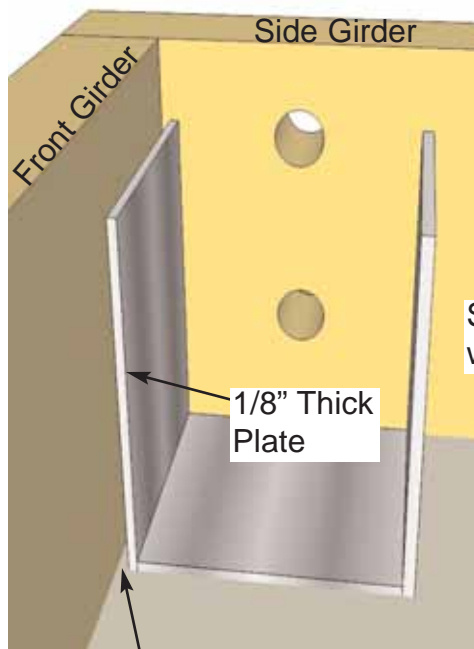
2. After the Playhouse is unpacked, to help determine correct placement of **Post Mounts**, use the assembled Lower Girder Section. Locate **(A) Lower Front and Rear Girders** and **(B) Lower Side Girders**. Screw Side Girder into both Front and Rear Girders with 2 - 2.5" screws per side. When completed your Lower Girder Section should be 75" wide x 70" deep.

3. Level and pour Concrete Forms. Place assembled Lower Girder Section evenly on top of forms and check once again to make sure it is level. (adjust if necessary).

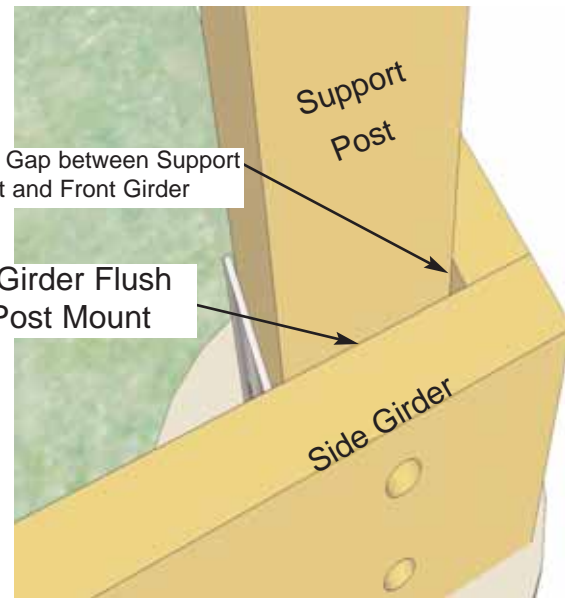




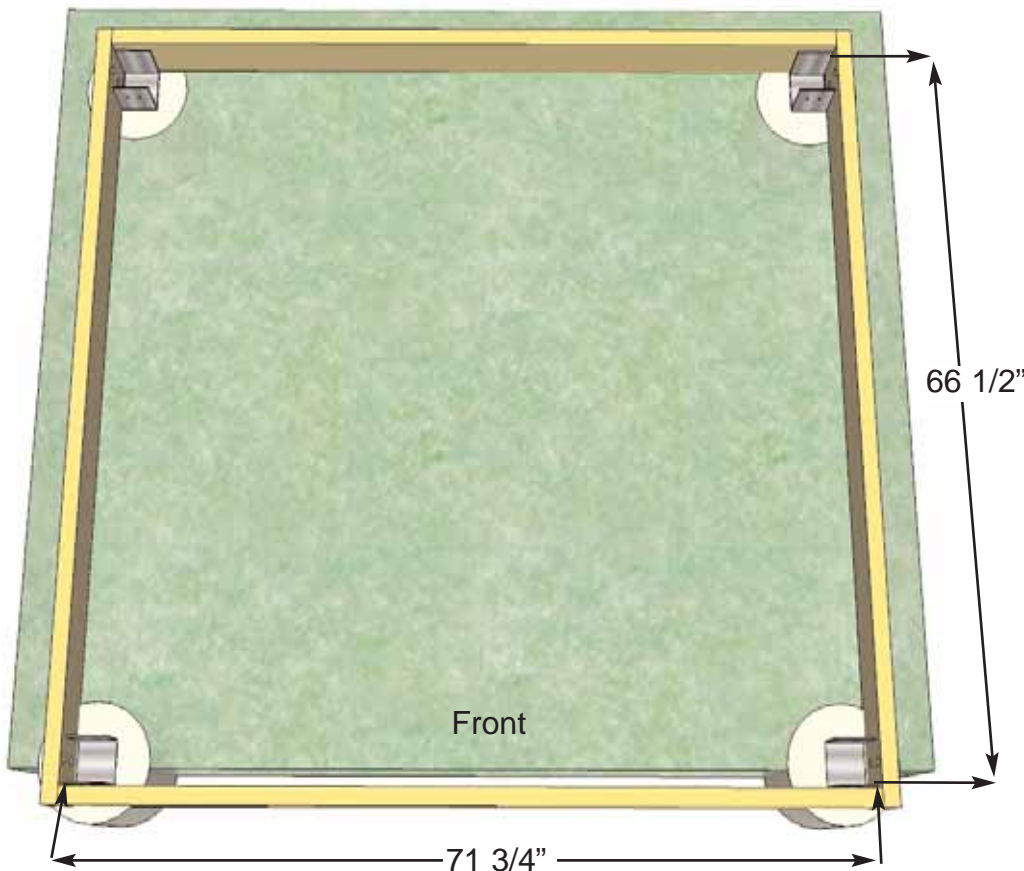
4. Place Post Mount in wet Concrete Form and position as illustrated.



Approx. 1/4" Gap between Post Mount and Front Girder



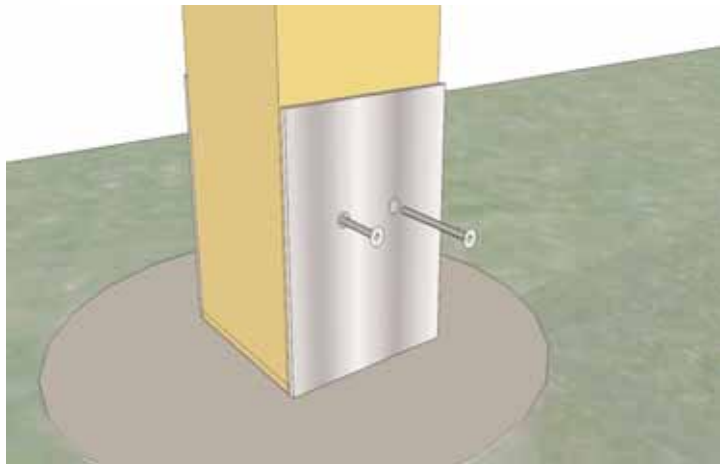
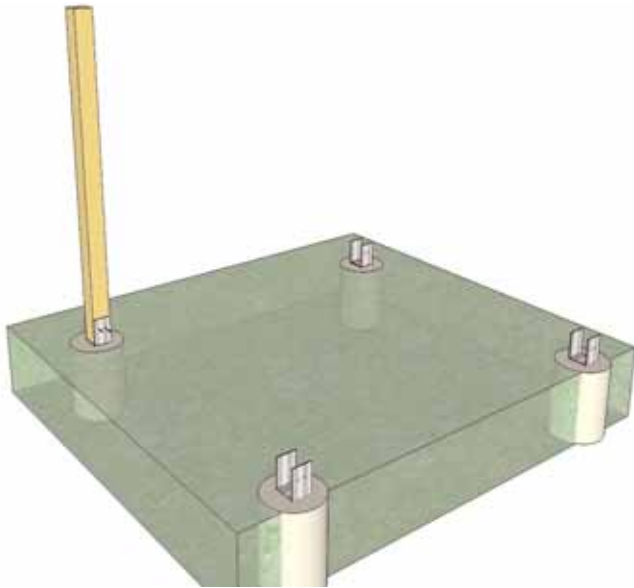
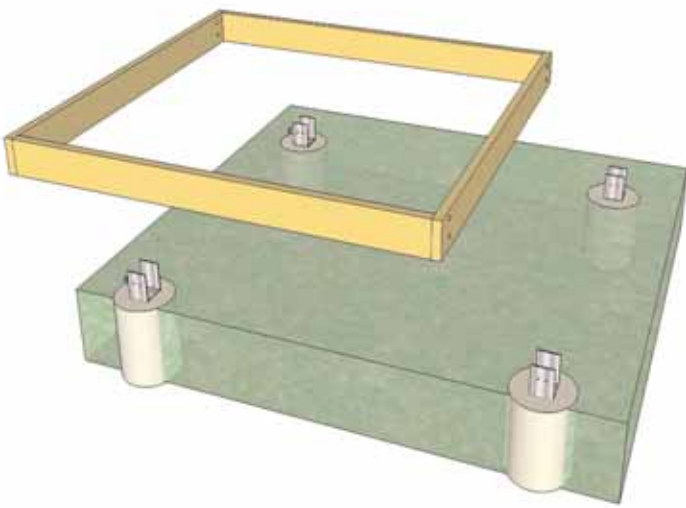
Picture illustrates Support Post installed. Post is not required on this however.



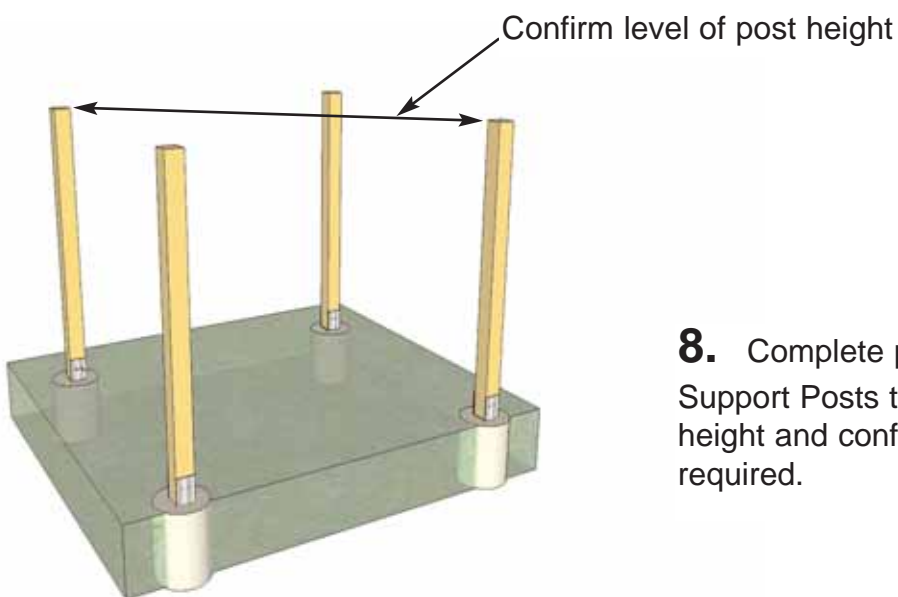
66 1/2" Outside to Outside of Post Mount

5. Complete positioning of all Post Mounts. Measure and confirm that it is level. Adjust as required. Allow concrete form to set as per manufacturer's recommendations.

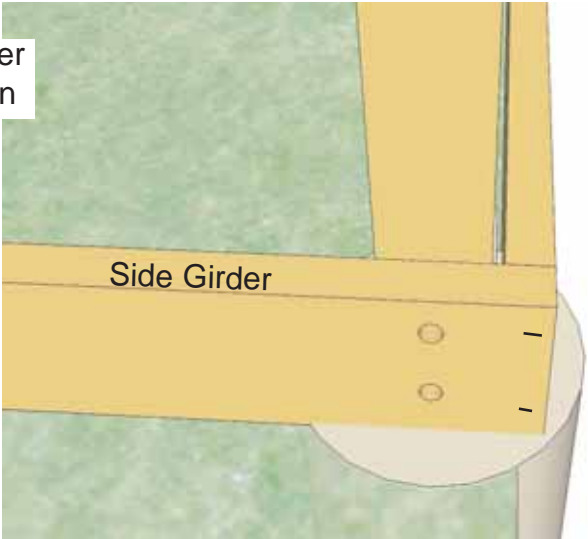
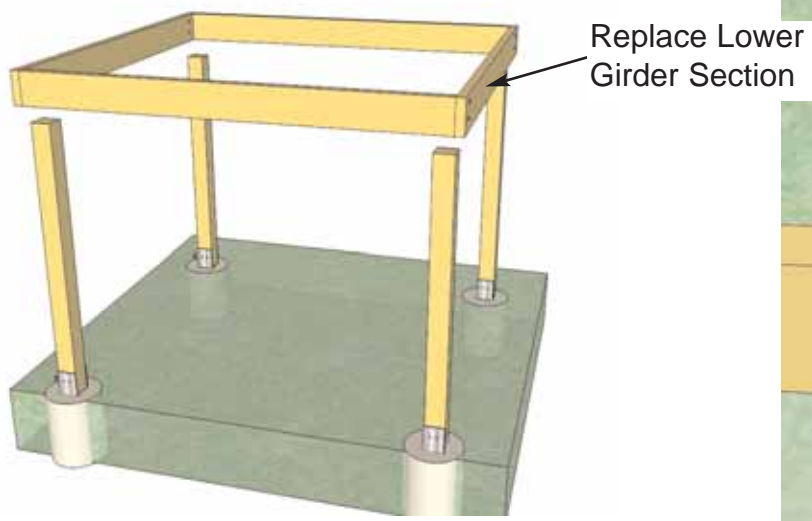
6. After Post Mounts are set in the forms, carefully remove Lower Girder Section and place to the side.



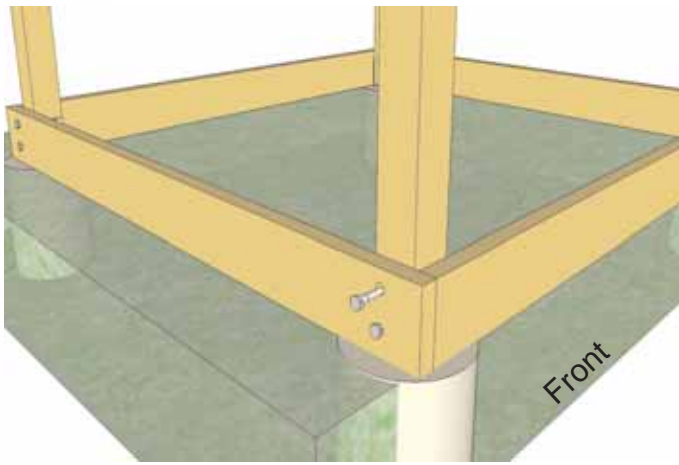
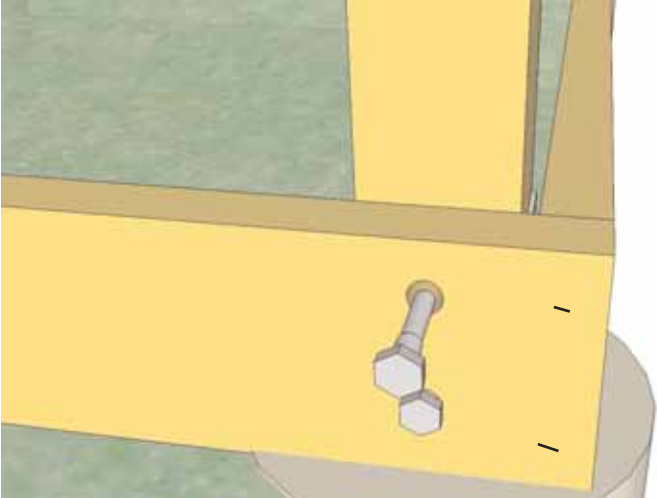
7. Locate 3 1/2" x 3 1/2" **Support Posts**. Position and attach bottom to Post Mount. Use Hardware recommended by Post Mount Manufacturer.



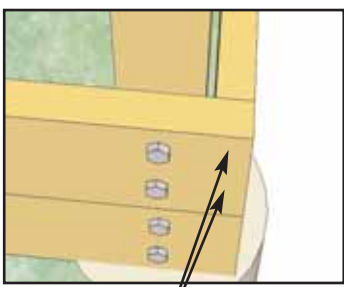
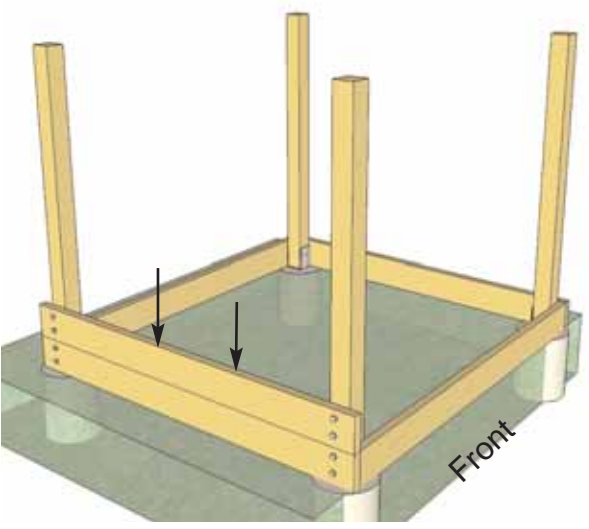
8. Complete positioning and attaching all Support Posts to Post Mounts. Measure post height and confirm that it is level. Adjust as required.



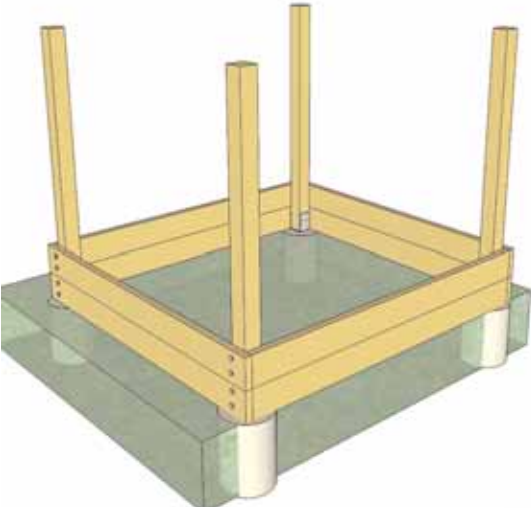
9. Carefully lift and re-position Lower Girder Section around Support Posts with your helper. Align Girders as per **Step 4.**



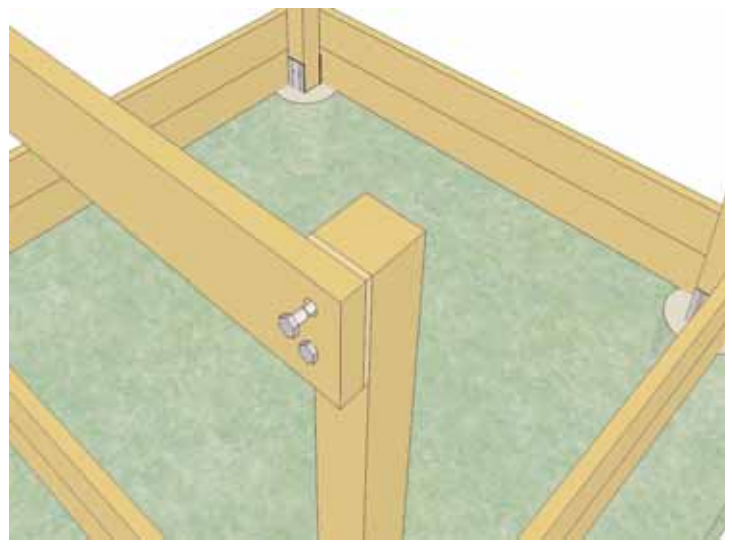
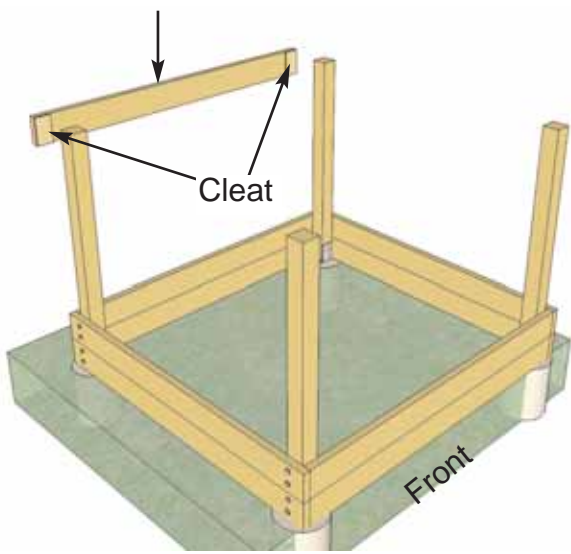
10. When correctly leveled and positioned, place **Lag Bolts with Washers** through Pre-Drilled holes of Lower Side Girders and tighten with 9/16th wrench. Complete both Side Girder attachments.



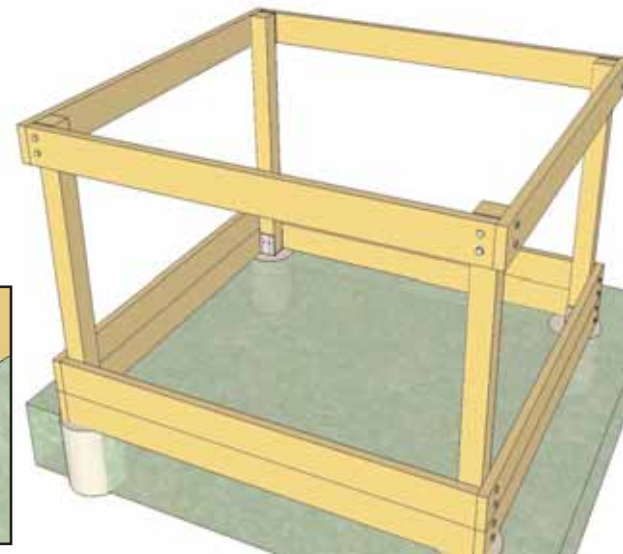
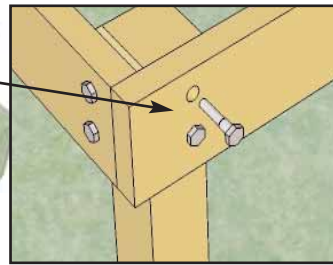
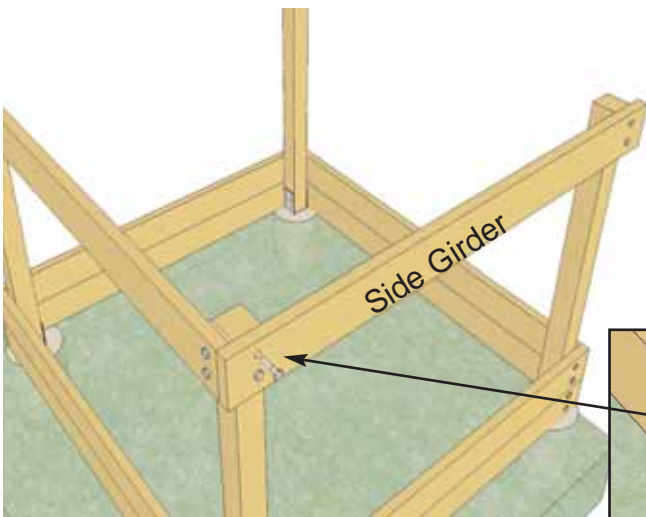
2 - 2.5" screws per side



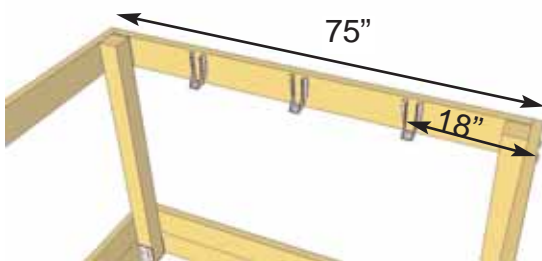
11. Place second Left Side Girder between Support Posts directly on top of Lower Girder and attach as per Lower Girder. Attach Front and Rear Girders with 2 - 2.5" screws per side. Complete Right Side Girder to complete as per left side.



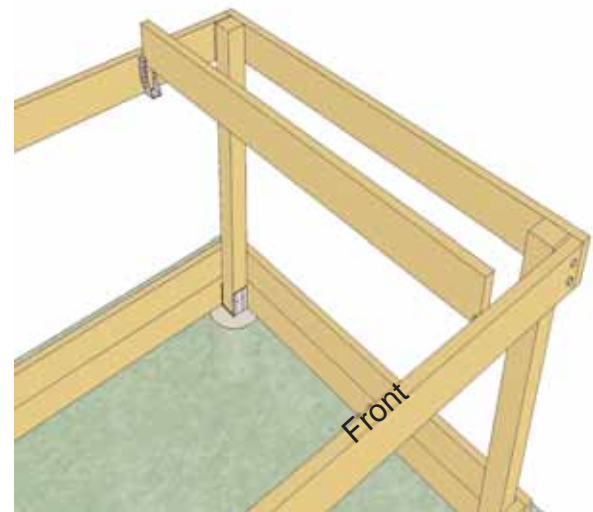
12. Locate **Upper Rear Girder** (Pre-Drilled and with a 3/8" Cleat on inside ends). Attach to Support Posts with 4 Lag Bolts. Make sure Girder is flush with top and sides of Posts with Cleat to the inside.

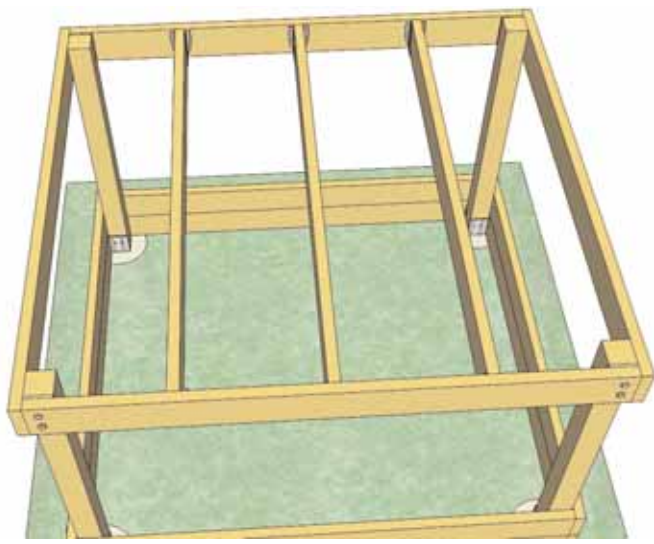


13. Locate **Upper Side Girder** (70" long and Pre-Drilled) and attach with Lag Bolts to Support Posts as per **Step 12**. Complete all Upper Girders as Per **Steps 12 & 13**.



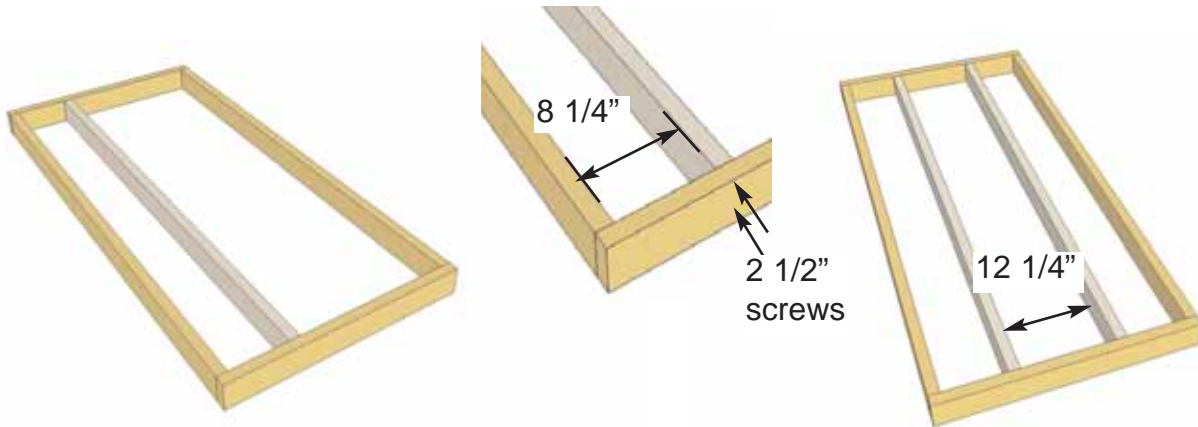
14. Locate **Interior Joist Holders (6)** found in hardware kit. Measure 18" on center on both Front and Rear Girder and attach Joist Holders with 1 1/4" screws. Place 67" long Interior Joists in Holders and attach with 1 1/4" screws.



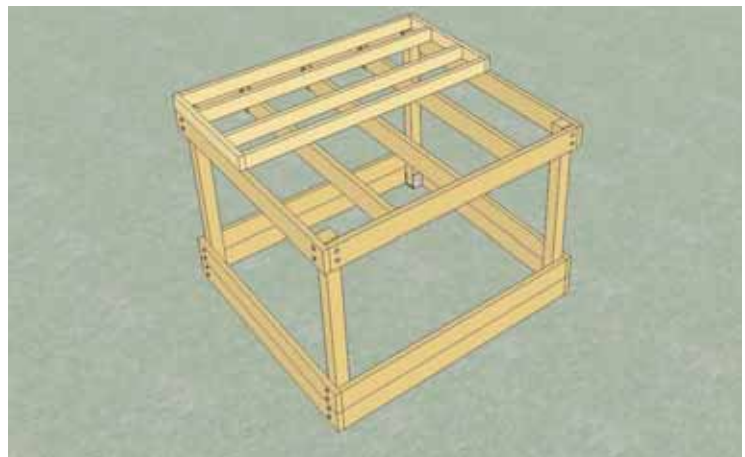
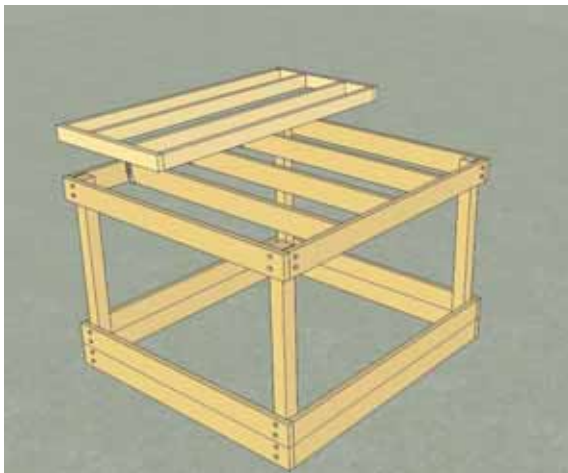


15. Complete attachments of remaining Interior Joists.

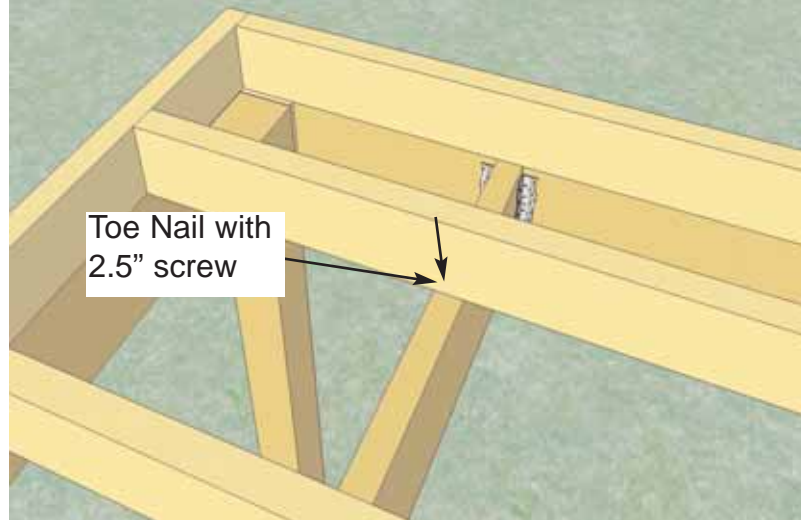
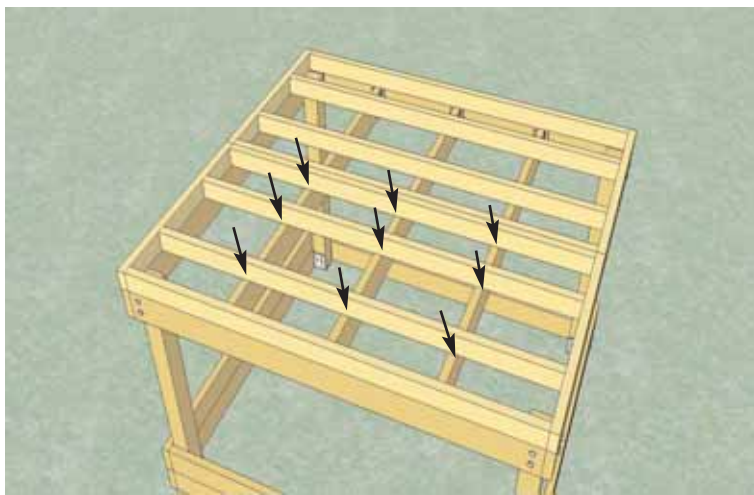
IMPORTANT: The Little Squirt Elevated Platform is now complete. To complete the Floor Section, use parts from the Standard Little Squirt Playhouse Assembly Manual with one exception. Floor Runners are not required. Please use **Steps 16 - 23 in this Manual** for correct Floor Assembly Procedure.



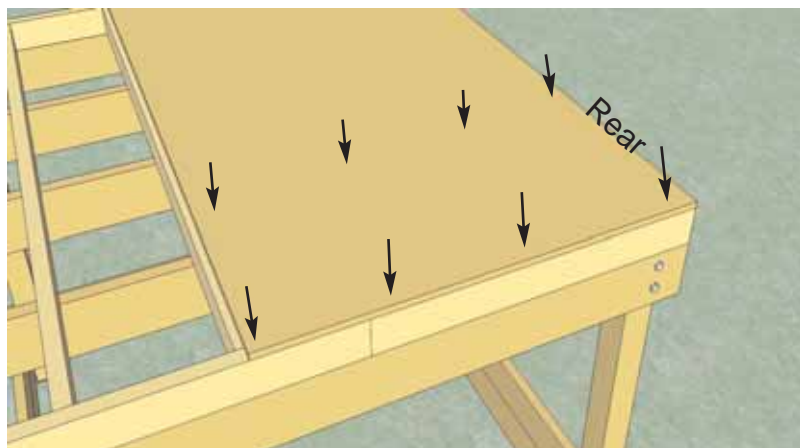
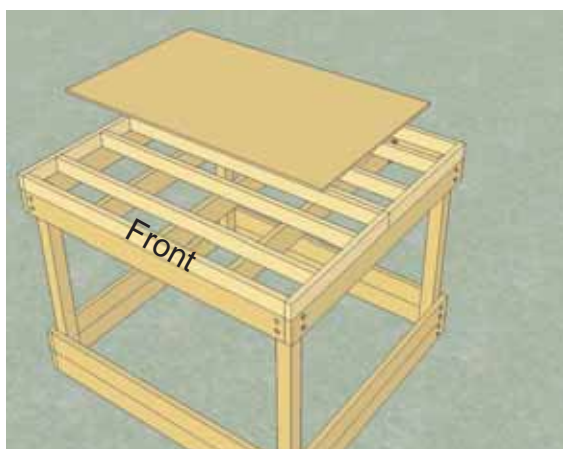
16. Next, attach **Floor Joist Frames**. Frames require two interior Floor Joist attachments. Measure Joist (8 1/4") from inside of Floor Joist Frame to inside of Floor Joist and attach with 2 - 2.5" screws per end. Complete attachments of both Floor Joists and both Floor Joist Frames.



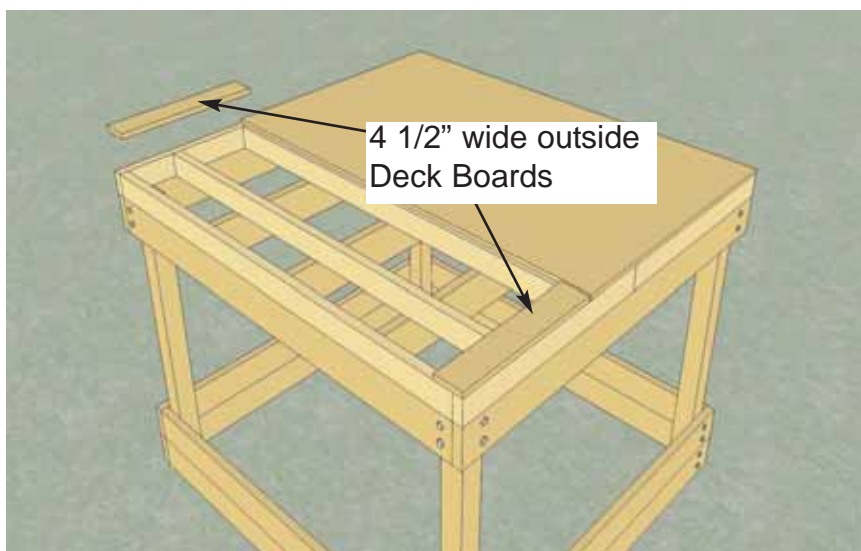
17. Carefully lift completed Floor Joist Frames and position on Elevated Platform so long floor joists run perpendicular with interior floor joists of platform.



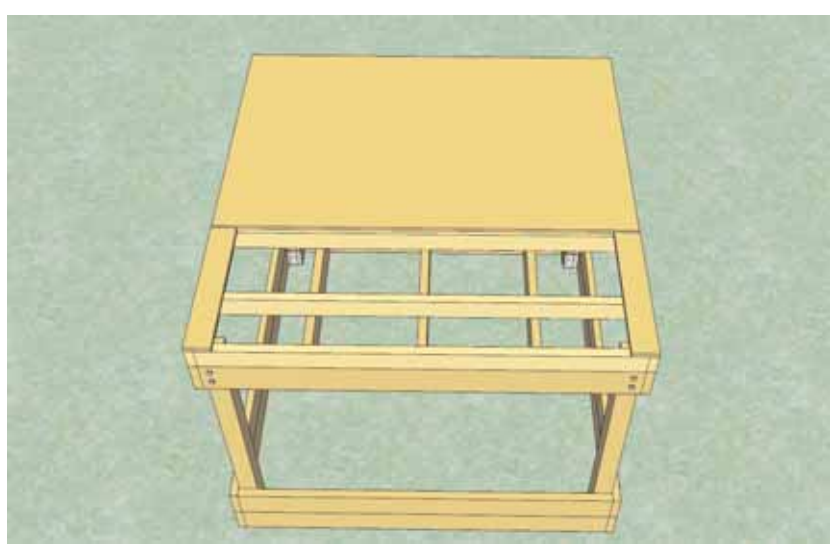
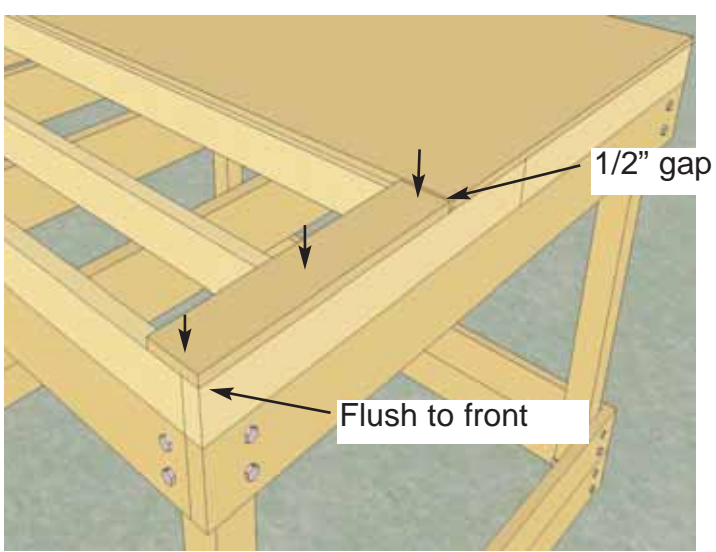
18. Align Floor Joist Frames so they sit flush with outside of Upper Girders of Elevated Platform. When positioned correctly, secure Floor Joist Frames with 18 - 2.5" screws, toe nailing on angle into Interior Joists. **IMPORTANT: Be careful that no screw tips are exposed after toe nailing. Run hand down Joists and visually inspect before proceeding. Remove and reposition screws if necessary.**



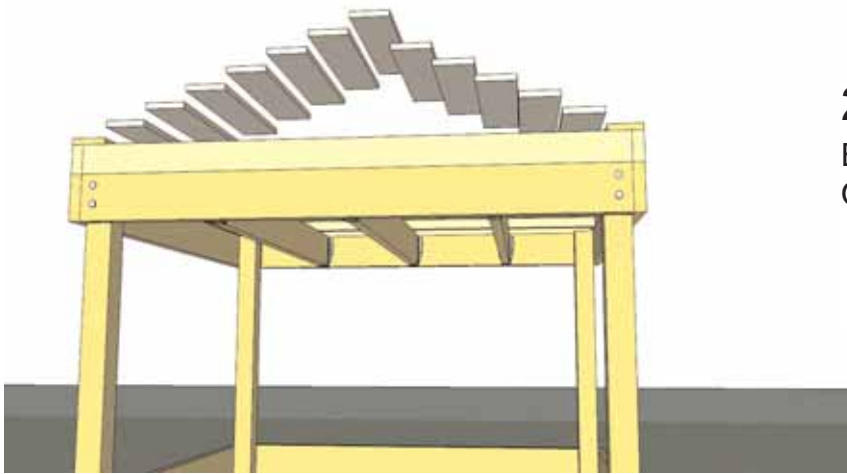
19. Locate **Plywood Floor** and position flush with outside of rear Floor Joist Frame. When in correct position, attach with 1 1/4" screws. Use screws every 16". **IMPORTANT: Be careful that no screw tips are exposed after the Floor is attached. Visually inspect before proceeding. Remove and reposition screws if necessary.**



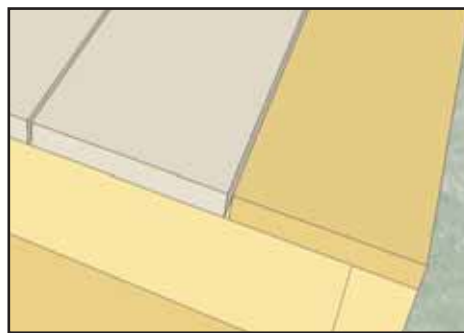
20. Locate **Deck Boards** (12 @ 5 3/8" and 2 @ 4 1/2" wide x 3/4" x 24" long). Start by positioning both 4 1/2" wide boards to the outside of Floor Frame.



21. Position Outside Deck Board so that it is flush to front with 1/2" gap in the rear. When correctly positioned, attach both outside boards with 3 - 1 1/4" Screws.



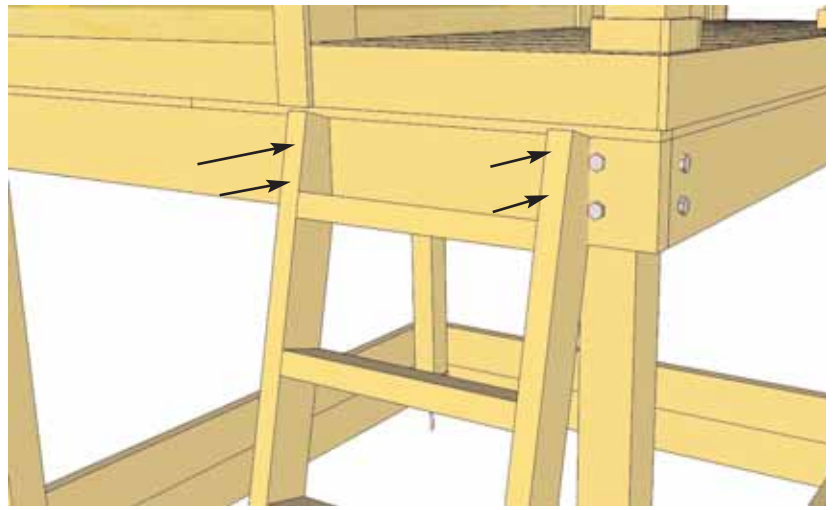
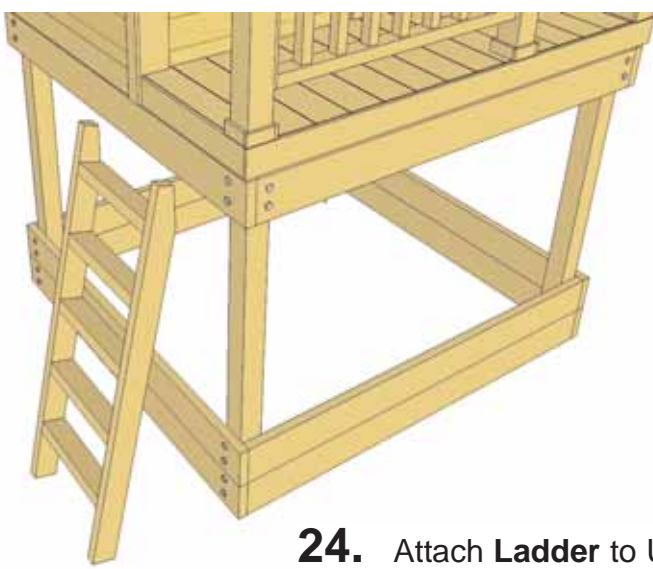
22. Position remaining Interior Deck Boards (12 @ 5 3/8" wide) between Outside Deck Boards.



23. Space Deck Boards so there is approximately an 1/8" gap between boards and attach with 3 - 1 1/4" screws per piece.



To complete Walls, Roof and Trim Section, refer to Little Squirt Playhouse Assembly Manual (without Elevated Platform).



24. Attach **Ladder** to Upper Girder with 4 - 2.5" screws. Pilot Hole Ladder to prevent wood from splitting.

Congratulations on building your 6x6 Little Squirt Playhouse Platform!



We hope your experience constructing our **6x6 Little Squirt Playhouse Platform** has been both positive and rewarding.

We value your feedback and would like to hear back from you on how well we are doing in the following areas:

1. Customer Service
2. On Time Shipping
3. Motor Freight Delivery
4. Quality of Materials
5. Assembly Manual
6. Overall Satisfaction

Please call, write or email us at:

Outdoor Living Today Partnership
P.O. Box 96
Sumas, Washington
98295



The materials contained in this Assembly Manual may be downloaded or copied provided that **ALL** copies retain the copyright and any other proprietary notices contained on the materials. No material may be modified, edited or taken out of context such that its use creates a false or misleading statement or impression as to the positions, statements or actions.